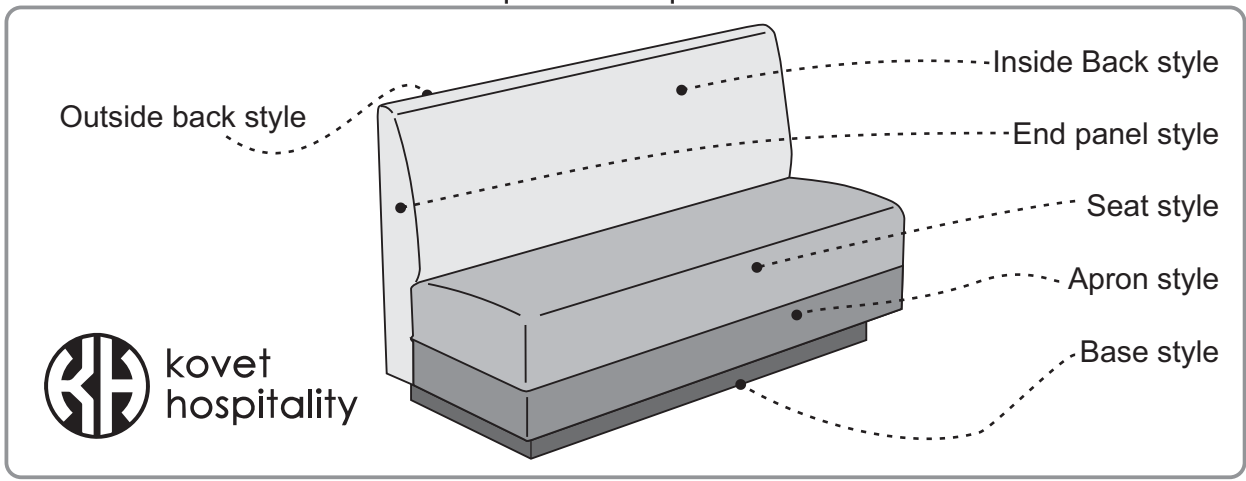


Banquette - Request Form



Configurations (Please check one Required to Specify and Quote)

<input type="checkbox"/> Single		<input type="checkbox"/> Straight		<input type="checkbox"/> Ellipse	
<input type="checkbox"/> Double		<input type="checkbox"/> L-Shape		<input type="checkbox"/> Zig Zag	
<input type="checkbox"/> U-Shape		<input type="checkbox"/> Rotunda		<input type="checkbox"/> 3/4 Circle	
<input type="checkbox"/> 1/4 Circle		<input type="checkbox"/> Custom Curve		<input type="checkbox"/> Stone Casegood	

Banquette - Styles

Inside Back style						
	PLAIN UPHOLSTERED (STANDARD)	DIAMOND TUFTED BUTTON YES <input type="checkbox"/> NO <input type="checkbox"/>	3\"/>	BISCUIT TUFTED BUTTON <input type="checkbox"/> YES <input type="checkbox"/> NO <input type="checkbox"/>	6\"/>	HIGH RISE CURVED BACK
Base style						
	Enclosed base square corners, Square, (standard)	Wooden Square Legs	Wooden Tapered Legs	Enclosed base Radius corners	Base with faux Legs	Wood base
Seat Edges Style						
	Tight upholstered with Seams (Standard)	Tight Upholstered with waterfall at front and seams at sides	Tight upholstered With welt at top	Tight Upholstered with waterfall at front and sides and seams at corner	Loose Cushion	Semi Attached Cushion
End panel style						
	Standard Tight Upholstered with seams	Tight Upholstered with waterfall at sides	Tight upholstered with welt	Applied laminate or wood Veneer end panel		

